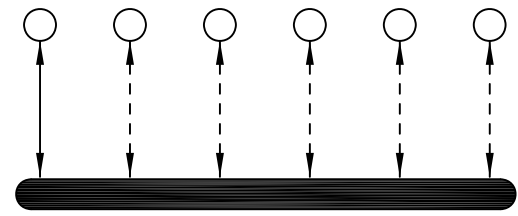
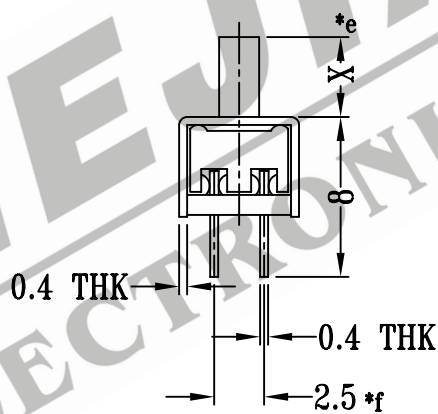
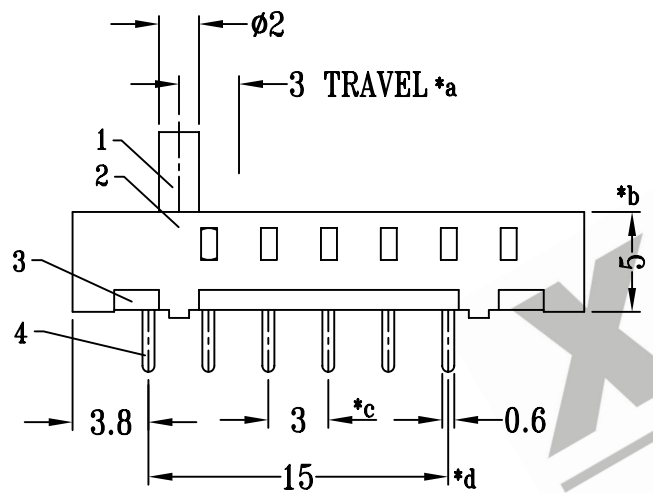
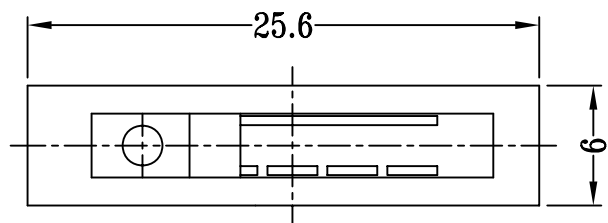
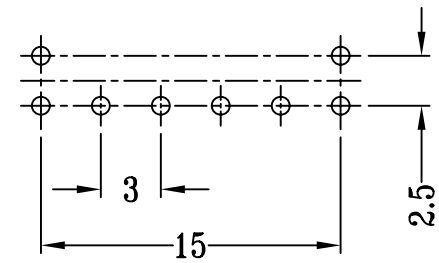


CAD FILE:



SCHEMATIC (SHORTING)



P.C.B LAYOUT

注:带"\*"表示关键尺寸(6个)

NO.	PARTS	MATERIALS	Q'TY	FINISH	TOLERANCE UNLESS SPECIFIED	SHENZHEN XIEJIA ELECTRONICS CO.,LTD.					
8						TITLE : VERTICAL SLIDE SWITCH					
7	CONTACT CLIP	BRASS STRIP	1	Ag PLATED	WITHIN: 1.5±0.1mm					ISSUE	DATE
6	SPRING	STEEL WIRE	2	TEMPER	OVER : 1.5±0.2mm			APPD.			
5	STEEL BALL	STEEL	1	NATURAL	MODEL: SS-16F01				DRWG NO.: XJ-DR-SS16F01-00		
4	TERMINAL	BRASS STRIP	8	Ag PLATED OVER Ni PLATED					UNIT : mm		
3	BASE	PHENOLIC RESIN	1	NATURAL	ALL MATERIALS MUST BE COMPLIANT TO ROHS				DWN.	ZHOUYU	2002-4-13
2	FRAME	STEEL STRIP	1	Ni PLATED					SCALE: 5:2	CHK'D	FANGYING
1	KNOB	POM	1	BLACK					APPD.	KANGXINAN	2002-4-13